

STYLE IA-10-CF

PROJECT: _____

ITEM: _____ QUANTITY: _____

INTEGRATIONS

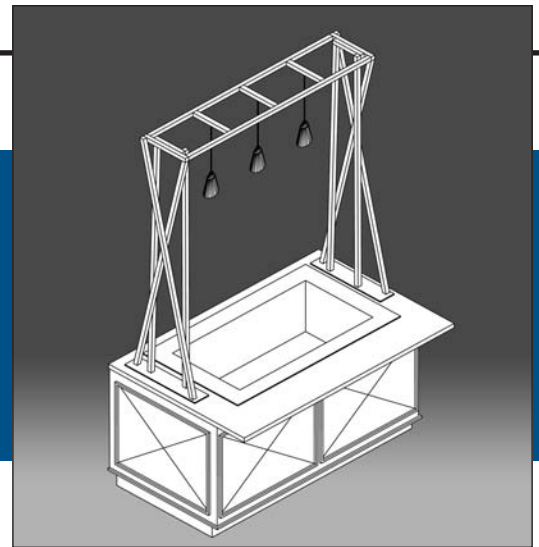
Shown with Optional Upper Structure (US-6)
and Pendant Lighting

SPECIFICATIONS

The IA-10-CF is a modular serving counter with a mechanical cold pan display unit. Featuring a 14-gauge stainless steel top, stainless steel interior base, plastic laminate exterior on three sides with stainless steel overlay trim in a criss cross accent. Black plastic laminate base conceals the heavy-duty adjustable legs.

Available depths: 38"

Available lengths: 36" 48" 60" 72" 84" 96"



STANDARD FEATURES

- 14-Gauge Stainless Steel Top
- Stainless Steel 18-Gauge Base Cabinet Open Rear
- 6" Adjustable Legs with Removable Black Kick Plate
- Stainless Steel Criss Cross Overlay Trim #4 Finish
- Standard Grade Laminate Exterior
- 8'-0" 120 Volt Cord and Plug

- All Integration Series counter bases are fabricated in 18-gauge, type 304 stainless steel. Each counter top is fabricated in 14-gauge, type 304 stainless steel with a 2" drop edge and welded corners. Heavy duty 14-gauge cross bracing is provided as standard for additional stability and deflection resistance. Each unit is internally wired to accommodate either 120volt or 208volt operation to a factory-mounted junction box. All Integration Series counters are NSF listed for sanitation. All millwork exteriors are fabricated in accordance with AWI standards.

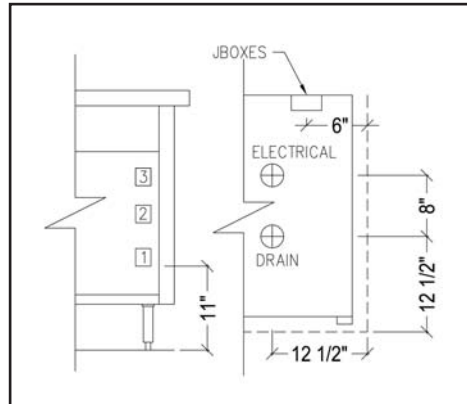
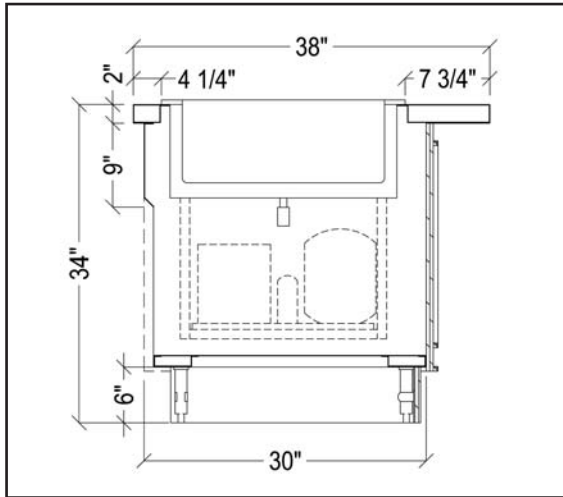
OPTIONAL FEATURES

- Stainless Steel Toe Base in Lieu of Laminate Base
- Convenience Outlet Panel Mounted with a Cord and Plug
Specify Voltage, Wattage and Location
- Vertical Stainless Steel Corner Trim
- Casters
- Louvers to Match Base
- Exterior Laminate: Non-Standard
- Corian Top: Stock Colors
- Corian Top: Non-Stock Colors
- Zodiac Top: Stock Colors
- Zodiac Top: Non-Stock Colors
- Veneer Fascia
 - Maple Oak Cherry Walnut
- Standard Grade laminate Top
- Top Extension up to 8"
- Top Extension 8" with Stainless Steel Runners
- Trayslide 12"
 - Stainless Steel Tubular Solid
 - Corian Stock Zodiac Stock Laminate
 - Corian Non-Stock Zodiac Non-Stock
- Stainless Steel Runners on Top Extension
All Tray Slides Standard with (3) Stainless Steel Runners
- Rear Doors
 - Stainless Steel Laminate
- Door Locks
- Island Style: Unit Will Change in Depth To 44"
- Sneeze Guard: Model #
- US-6 Upper Structure
May Limit Size of Cold Pan Well Openings
- Accent Criss Cross Overlay
 - Mirrored Stainless Steel Powder Coat
- 5 Year Compressor Warranty
- Remote Refrigeration

STYLE IA-10-CF

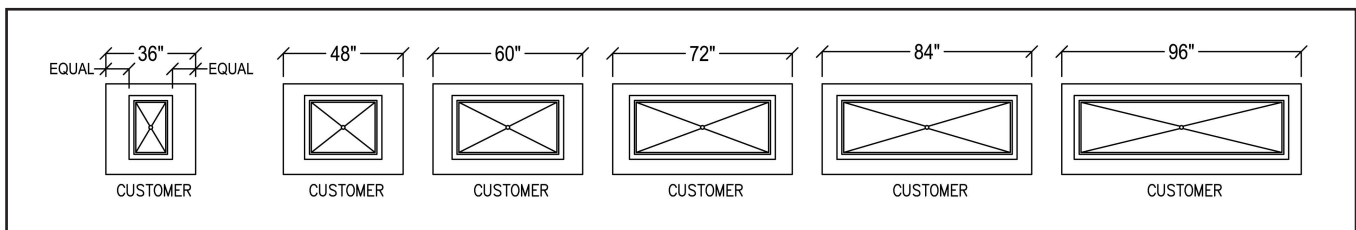
TOLL FREE: 800-525-3692

INTEGRATIONS



Electrical & Plumbing locations

1. Junction box for main power supply. 2. Junction box for drop in equipment 3. Junction box for sneeze upper unit.



MODEL	L	W	H	ELECTRICAL	NEMA PLUG	PLUMBING	AMPS	WT
IA-10-CF-36	36"	38"	34"	120V/60/1 Phase	5-15P	1" I. W.	7.1	373
IA-10-CF-48	48"	38"	34"	120V/60/1 Phase	5-15P	1" I. W.	7.1	475
IA-10-CF-60	60"	38"	34"	120V/60/1 Phase	5-15P	1" I. W.	7.1	587
IA-10-CF-72	72"	38"	34"	120V/60/1 Phase	5-15P	1" I. W.	7.8	699
IA-10-CF-84	84"	38"	34"	120V/60/1 Phase	5-15P	1" I. W.	10.7	811
IA-10-CF-96	96"	38"	34"	120V/60/1 Phase	5-15P	1" I. W.	10.7	928

NOTE: All electrical requirements are for drop-in only.

RPI Industries, in line with its policy to improve its products, reserves the right to change materials or specifications without notice. Any adverse conditions will affect warranty.

CALL TOLL FREE: 800-525-3692 (609-714-2330)

FAX: 609-714-2331 www.regalpinnacl.com

220 ROUTE 70, MEDFORD, NJ 08055

