

STYLE IA-2-HF

INTEGRATIONS

PROJECT: _____

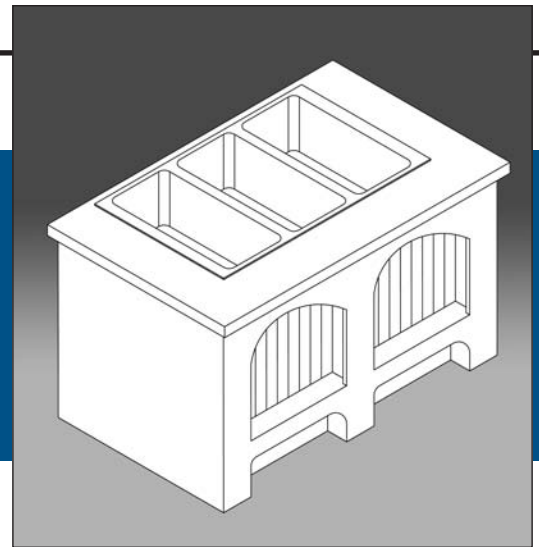
ITEM: _____ QUANTITY: _____

SPECIFICATIONS

The IA-2-HF is a modular serving counter with a hot food display unit. Featuring a 14-gauge stainless steel top, stainless steel interior base, painted wooden exterior on three sides with a wainscoting exterior front recessed painted accent panels. Matching painted wooden base conceals the heavy-duty adjustable legs.

Available depths: 38"

Available lengths: 36" 48" 60" 72" 84" 96"



STANDARD FEATURES

- 14-Gauge Stainless Steel Top
- Stainless Steel 18-Gauge Base Cabinet Open Rear
- 6" Adjustable Legs
- Painted Exterior: Standard Colors
- Hot Food Wells Manifold to Common Drain
- 8'-0" 208 Volt Cord and Plug

Available up to 4 Well Models

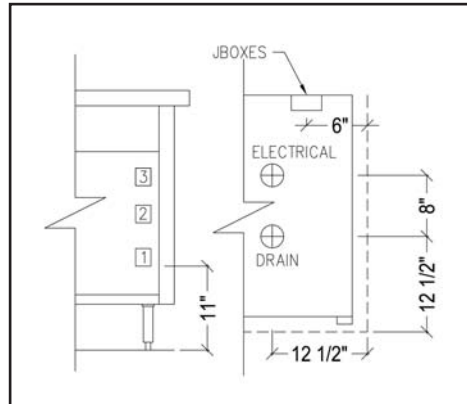
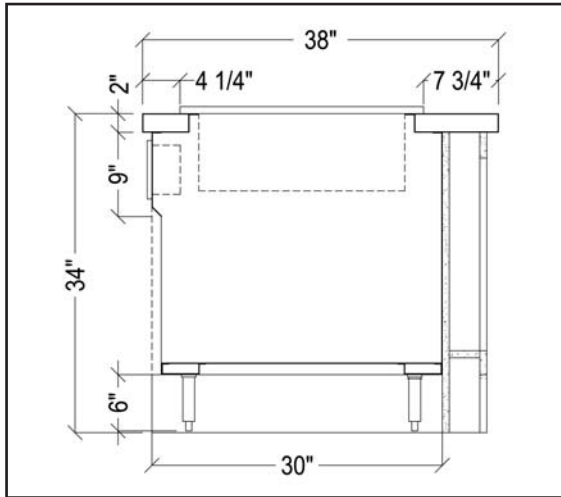
- All Integration Series counter bases are fabricated in 18-gauge, type 304 stainless steel. Each counter top is fabricated in 14-gauge, type 304 stainless steel with a 2" drop edge and welded corners. Heavy duty 14-gauge cross bracing is provided as standard for additional stability and deflection resistance. Each unit is internally wired to accommodate either 120volt or 208volt operation to a factory-mounted junction box. All Integration Series counters are NSF listed for sanitation. All millwork exteriors are fabricated in accordance with AWI standards.

OPTIONAL FEATURES

- Stainless Steel Toe Base in Lieu of Laminate Base
- Convenience Outlet Panel Mounted with a Cord and Plug
Specify Voltage, Wattage and Location
- Vertical Stainless Steel Corner Trim
- Casters
- Louvers to Match Base
- Exterior Painted Finish: Non-Standard Color
- Wainscot Recessed Panels: Non-Standard Color
- Corian Top: Stock Colors
- Corian Top: Non-Stock Colors
- Zodiacq Top: Stock Colors
- Zodiacq Top: Non-Stock Colors
- Standard Grade Laminate Top
- Top Extension up to 12"
- Top Extension 12" with Stainless Steel Tray Runners
- Trayslide12"
 - Stainless Steel Tubular Solid
 - Corian Stock Zodiacq Stock Laminate
 - Corian Non-Stock Zodiacq Non-Stock
- All Tray Slides Standard with (3) Stainless Steel Runners
- Rear Doors
 - Stainless Steel Laminate
- Door Locks
- Accent Recessed Lights at Display Shelf
- Island Style: Unit Will Change in Depth To 44"
- Sneeze Guard: Model #
- Ceramic Hot Plates in Lieu of Hot Food Wells

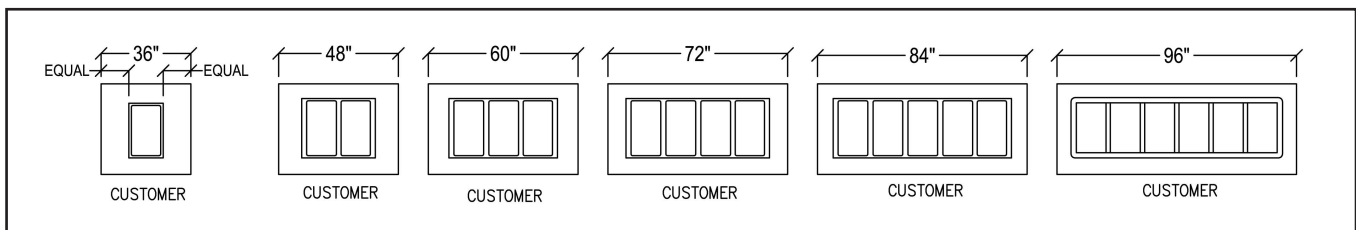
Consult Factory for Electrical Information

INTEGRATIONS



Electrical & Plumbing locations

1. Junction box for main power supply. 2. Junction box for drop in equipment 3. Junction box for sneeze upper unit.



MODEL	L	W	H	ELECTRICAL	NEMA PLUG	PLUMBING	AMPS	WT
IA-2-HF-36	36"	38"	34"	208V/60/1 Phase	6-15	1" I.W.	5.3	310
IA-2-HF-48	48"	38"	34"	208V/60/1 Phase	6-15	1" I.W.	10.6	410
IA-2-HF-60	60"	38"	34"	208V/60/1 Phase	6-20	1" I.W.	15.9	503
IA-2-HF-72	72"	38"	34"	208V/60/1 Phase	6-30	1" I.W.	21.2	645
IA-2-HF-84	84"	38"	34"	208V/60/1 Phase	Hardwire	1" I.W.	27.5	780
IA-2-HF-96	96"	38"	34"	208V/60/1 Phase	Hardwire	1" I.W.	31.7	1088

NOTE: All electrical requirements are for drop-in only. Units are standard with 1000 watt elements.

RPI Industries, in line with its policy to improve its products, reserves the right to change materials or specifications without notice. Any adverse conditions will affect warranty.

CALL TOLL FREE: 800-525-3692 (609-714-2330)

FAX: 609-714-2331 www.regalpinncle.com

220 ROUTE 70, MEDFORD, NJ 08055

