

STYLE IA-4-HF

INTEGRATIONS

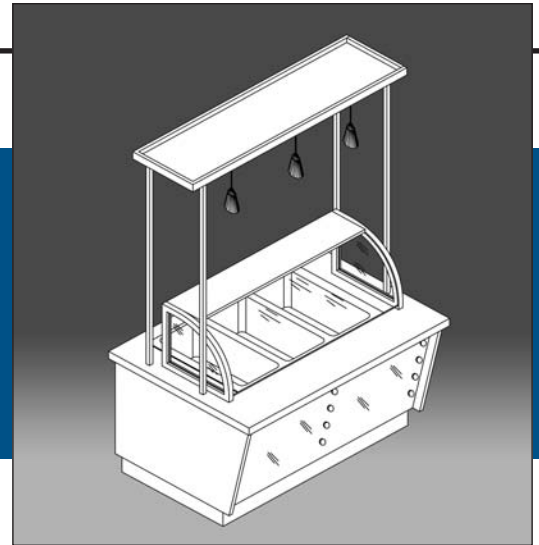
Shown with Optional Sneeze Guard (SN-2),
Upper Structure (US-1) and Pendant Lighting

PROJECT: _____

ITEM: _____ QUANTITY: _____

SPECIFICATIONS

The IA-4-HF is a modular serving counter with a hot food display unit. Featuring a 14-gauge stainless steel top, stainless interior base, and stainless steel side panels. Lighted acrylic front fascia and stainless steel angled base caps to conceal the heavy-duty adjustable legs.



Available depths: 42"

Available lengths: 36" 48" 60" 72" 84" 96"

STANDARD FEATURES

- 14-Gauge Stainless Steel Top
- Stainless Steel 18-Gauge Base Cabinet
Open Rear
- 6" Adjustable Legs with Stainless Steel Caps
- Standard Color Acrylic Front Fascia with
Fluorescent Back Lighting
- Hot Food Wells Manifold to Common Drain
- Standard Grade Laminate Exterior
- 8'-0" 208 Volt Cord and Plug

Available Only up to 4 Well Model

- All Integration Series counter bases are fabricated in 18-gauge, type 304 stainless steel. Each counter top is fabricated in 14-gauge, type 304 stainless steel with a 2" drop edge and welded corners. Heavy duty 14-gauge cross bracing is provided as standard for additional stability and deflection resistance. Each unit is internally wired to accommodate either 120volt or 208volt operation to a factory-mounted junction box. All Integration Series counters are NSF listed for sanitation. All millwork exteriors are fabricated in accordance with AWI standards.

OPTIONAL FEATURES

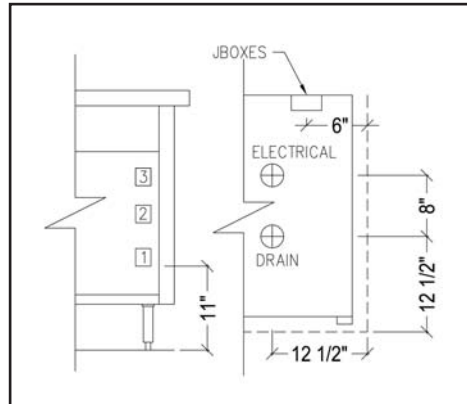
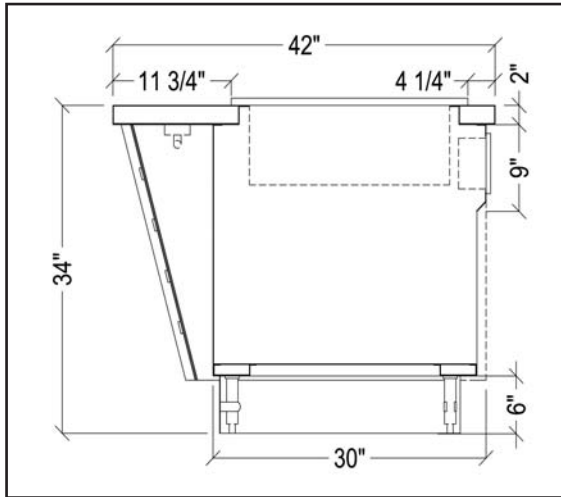
- Convenience Outlet Panel Mounted with a Cord and Plug
Specify Voltage, Wattage and Location
- Casters
- Louvers to Match Base
- Corian Top: Stock Colors
- Corian Top: Non-Stock Colors
- Zodiac Top: Stock Colors
- Zodiac Top: Non-Stock Colors
- Standard Grade Laminate Top
- Recessed Trayslide¹²
 - Stainless Steel Tubular Solid
 - Corian Stock Zodiac Stock Laminate
 - Corian Non-Stock Zodiac Non-StockAll Tray Slides Standard with (3) Stainless Steel Runners
- 3 Stainless Steel Runners on Front of Counter Top
- Rear Doors
 - Stainless Steel Laminate
- Door Locks
- Non-Stock Acrylic Fascia Panel Color
- Island Style: Unit Will Change in Depth To 52"
- Sneeze Guard: Model #
- US-1 Upper Structure
May Limit Size of Hot Food Well Openings
- Ceramic Hot Plates in Lieu of Hot Food Wells
Consult Factory for Electrical Information



STYLE IA-4-HF

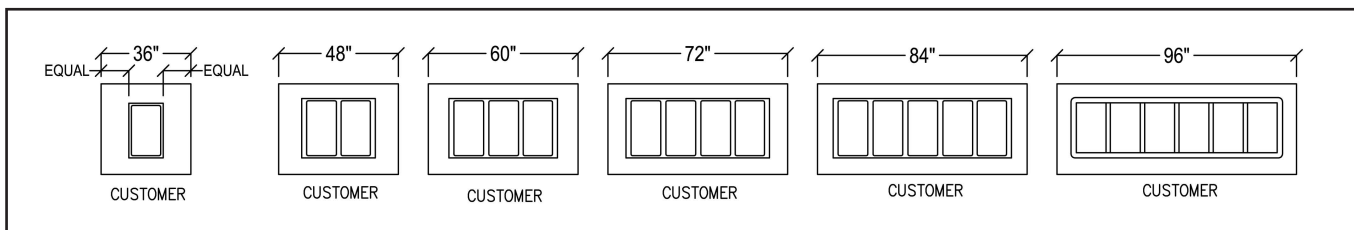
TOLL FREE: 800-525-3692

INTEGRATIONS



Electrical & Plumbing locations

1. Junction box for main power supply.
2. Junction box for drop in equipment
3. Junction box for sneeze upper unit.



| MODEL | L | W | H | ELECTRICAL | NEMA PLUG | PLUMBING | AMPS | WT |
|------------|-----|-----|-----|-----------------|-----------|----------|------|------|
| IA-4-HF-36 | 36" | 42" | 34" | 208V/60/1 Phase | 6-15 | 1" I.W. | 5.3 | 403 |
| IA-4-HF-48 | 48" | 42" | 34" | 208V/60/1 Phase | 6-15 | 1" I.W. | 10.6 | 532 |
| IA-4-HF-60 | 60" | 42" | 34" | 208V/60/1 Phase | 6-20 | 1" I.W. | 15.9 | 654 |
| IA-4-HF-72 | 72" | 42" | 34" | 208V/60/1 Phase | 6-30 | 1" I.W. | 21.2 | 825 |
| IA-4-HF-84 | 84" | 42" | 34" | 208V/60/1 Phase | Hardwire | 1" I.W. | 27.5 | 901 |
| IA-4-HF-96 | 96" | 42" | 34" | 208V/60/1 Phase | Hardwire | 1" I.W. | 31.7 | 1153 |

NOTE: All electrical requirements are for drop-in only. Units are standard with 1000 watt elements.

RPI Industries, in line with its policy to improve its products, reserves the right to change materials or specifications without notice. Any adverse conditions will affect warranty.

CALL TOLL FREE: 800-525-3692 (609-714-2330)

FAX: 609-714-2331 www.regalpinncle.com

220 ROUTE 70, MEDFORD, NJ 08055

