

# STYLE IA-5-AP

## INTEGRATIONS

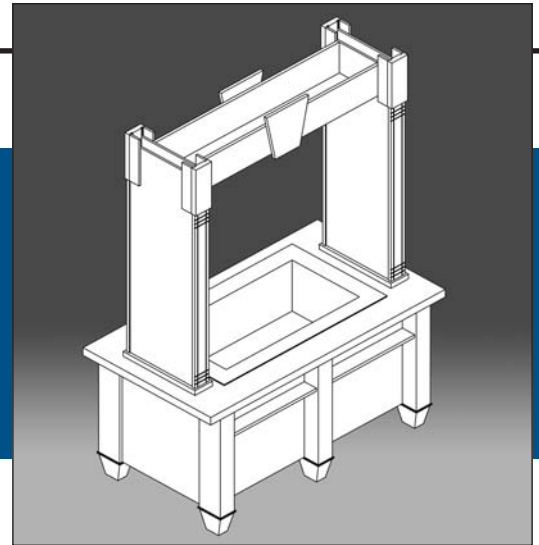
Shown with Optional Upper Structure (US-2)

PROJECT: \_\_\_\_\_

ITEM: \_\_\_\_\_ QUANTITY: \_\_\_\_\_

## SPECIFICATIONS

The IA-5-AP is a modular serving counter with a mechanically cooled Vienna series air pan display unit. Featuring a 14-gauge stainless steel interior base, red oak exterior on three sides with a recessed front shelf. Black plastic laminate base conceals the heavy-duty adjustable legs.



Available depths:  38"

Available lengths:  49"  61"  73"  85"  97"

## STANDARD FEATURES

- 14-Gauge Stainless Steel Top
- Stainless Steel 18-Gauge Base Cabinet Open Rear
- Adjustable Legs with Stainless Steel Caps
- Red Oak Legs and Exterior - Long Grain with Standard Stain Finish
- 8'-0" 120 Volt Cord and Plug
- All Integration Series counter bases are fabricated in 18-gauge, type 304 stainless steel. Each counter top is fabricated in 14-gauge, type 304 stainless steel with a 2" drop edge and welded corners. Heavy duty 14-gauge cross bracing is provided as standard for additional stability and deflection resistance. Each unit is internally wired to accommodate either 120volt or 208volt operation to a factory-mounted junction box. All Integration Series counters are NSF listed for sanitation. All millwork exteriors are fabricated in accordance with AWI standards.

## OPTIONAL FEATURES

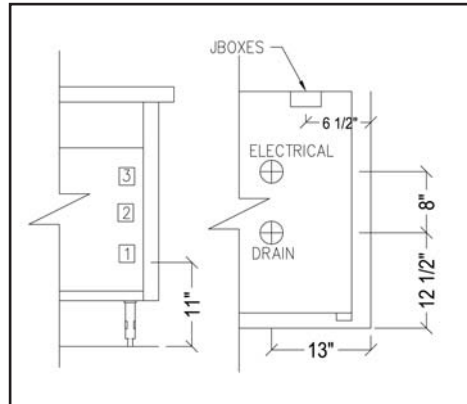
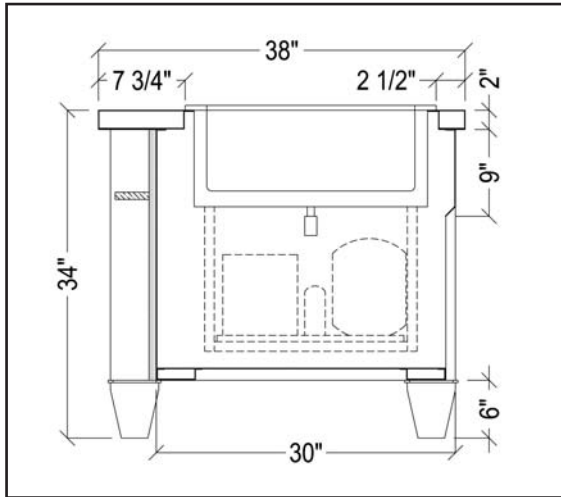
- Stainless Toe Base in Lieu of Wood Base
- Convenience Outlet Panel Mounted with a Cord and Plug  
Specify Voltage, Wattage and Location
- Casters
- Louvers to Match Base
- Exterior Custom Stained
- Non-Standard Wood Species
  - Cherry  Maple  Mahogany  Walnut
- Corian Top: Stock Colors
- Corian Top: Non-Stock Colors
- Zodiac Top: Stock Colors
- Zodiac Top: Non-Stock Colors
- Standard Grade Laminate Top
- Top Extension up to 12"
- Top Extension 12" with Stainless Steel Runners
- Trayslide12"
  - Stainless Steel  Tubular  Solid
  - Corian Stock  Zodiac Stock  Laminate
  - Corian Non-Stock  Zodiac Non-StockAll Tray Slides Standard with (3) Stainless Steel Runners
- Rear Doors
  - Stainless Steel  Veneer
- Door Locks
- Island Style: Unit Will Change in Depth To 44"
- Sneeze Guard: Model #
- US-2 Upper Structure  
May Limit Size of Cold Pan Openings
- 5 Year Compressor Warranty
- Remote Refrigeration



# STYLE IA-5-AP

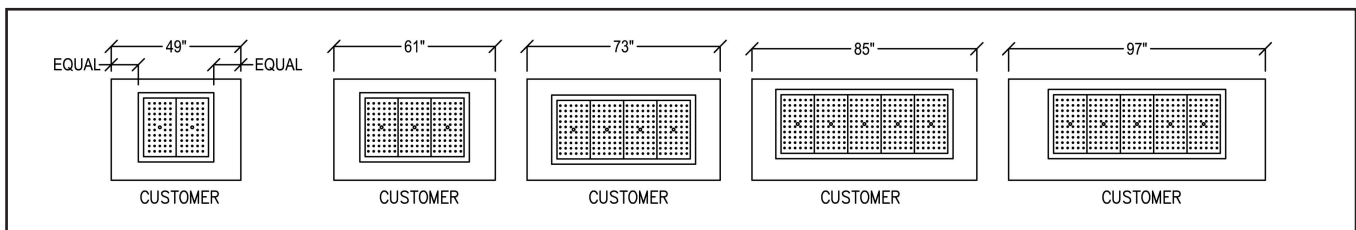
TOLL FREE: 800-525-3692

## INTEGRATIONS



### Electrical & Plumbing locations

1. Junction box for main power supply. 2. Junction box for drop in equipment 3. Junction box for sneeze upper unit.



MODEL	L	W	H	ELECTRICAL	NEMA PLUG	PLUMBING	AMPS	WT
IA-5-AP-49	49"	38"	34"	120V/60/1 Phase	5-15P	1" I.W.	4.7	562
IA-5-AP-61	61"	38"	34"	120V/60/1 Phase	5-15P	1" I.W.	5.3	697
IA-5-AP-73	73"	38"	34"	120V/60/1 Phase	5-15P	1" I.W.	6.8	821
IA-5-AP-85	85"	38"	34"	120V/60/1 Phase	5-15P	1" I.W.	8.1	1018
IA-5-AP-97	97"	38"	34"	120V/60/1 Phase	5-15P	1" I.W.	8.1	1107

**NOTE: All electrical requirements are for drop-in only.**

RPI Industries, in line with its policy to improve its products, reserves the right to change materials or specifications without notice. Any adverse conditions will affect warranty.

CALL TOLL FREE: 800-525-3692 (609-714-2330)

FAX: 609-714-2331 [www.regalpinncle.com](http://www.regalpinncle.com)

220 ROUTE 70, MEDFORD, NJ 08055

