

STYLE IA-6-CF

INTEGRATIONS

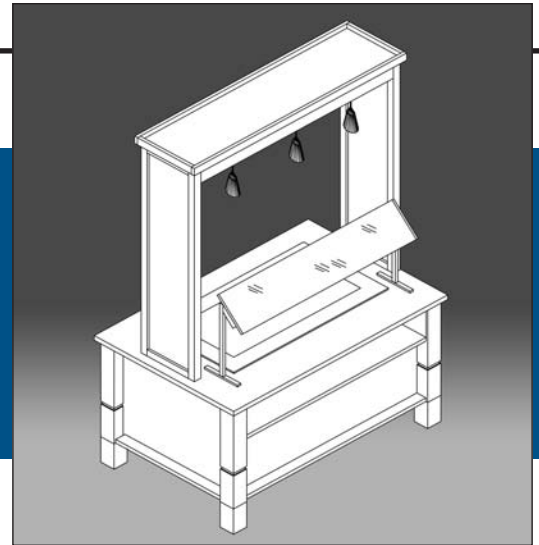
Shown with Optional Upper Structure (US-3),
Sneeze Guard (SN-3) and Pendant Lighting

PROJECT: _____

ITEM: _____ QUANTITY: _____

SPECIFICATIONS

The IA-6-CF is a modular serving counter with a mechanical cold pan display unit. Featuring a 14-gauge stainless steel top, stainless steel interior base, plastic laminate recessed reveal exterior fascia panels on three sides along with a plastic laminated plate shelf. Red oak legs with square stainless steel decorative caps to conceal the heavy-duty adjustable legs.



Available depths: 42"

Available lengths: 42" 54" 66" 78" 90" 102"

STANDARD FEATURES

- 14-Gauge Stainless Steel Top
- Stainless Steel 18-Gauge Base Cabinet Open Rear
- Adjustable Legs with Stainless Steel Square Caps
- Red Oak Legs with 3/4" Recessed Reveal
- Standard Stain Finishes
- Laminate Plate Shelf
- 8'-0" 120 Volt Cord and Plug

- All Integration Series counter bases are fabricated in 18-gauge, type 304 stainless steel. Each counter top is fabricated in 14-gauge, type 304 stainless steel with a 2" drop edge and welded corners. Heavy duty 14-gauge cross bracing is provided as standard for additional stability and deflection resistance. Each unit is internally wired to accommodate either 120volt or 208volt operation to a factory-mounted junction box. All Integration Series counters are NSF listed for sanitation. All millwork exteriors are fabricated in accordance with AWI standards.

OPTIONAL FEATURES

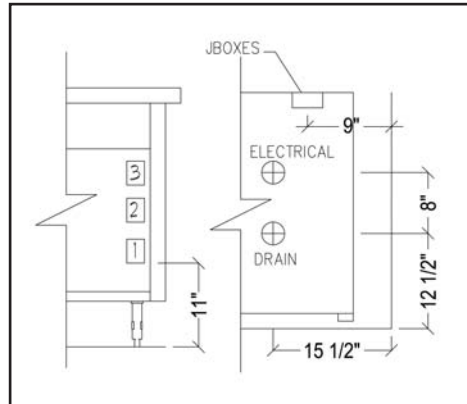
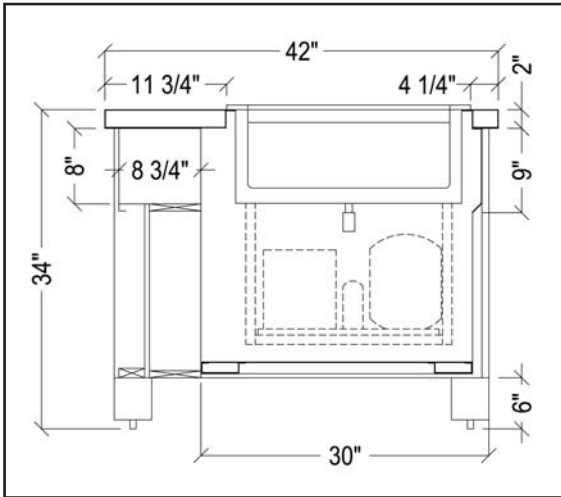
- Stainless Toe Base in Lieu of Wood Base
- Convenience Outlet Panel Mounted with a Cord and Plug
Specify Voltage, Wattage and Location
- Vertical Stainless Steel Corner Trim on Legs
- Casters
- Louvers to Match Base
- Exterior Custom Stained
- Exterior Laminate: Non-Standard
- Non-Standard Wood Species
 - Cherry Maple Mahogany Walnut
- Corian Top: Stock Colors
- Corian Top: Non-Stock Colors
- Zodiac Top: Stock Colors
- Zodiac Top: Non-Stock Colors
- Standard Grade Laminate Top
- Plate Shelf Options
 - Stainless Steel Corian Zodiac
- Stainless Steel Tray Runners
- Rear Doors
 - Stainless Steel Laminate
- Door Locks
- Island Style: Unit Will Change in Depth To 53"
- Sneeze Guard: Model #
- US-3 Upper Structure
May Limit Size of Cold Well Openings
- 5 Year Compressor Warranty
- Remote Refrigeration



STYLE IA-6-CF

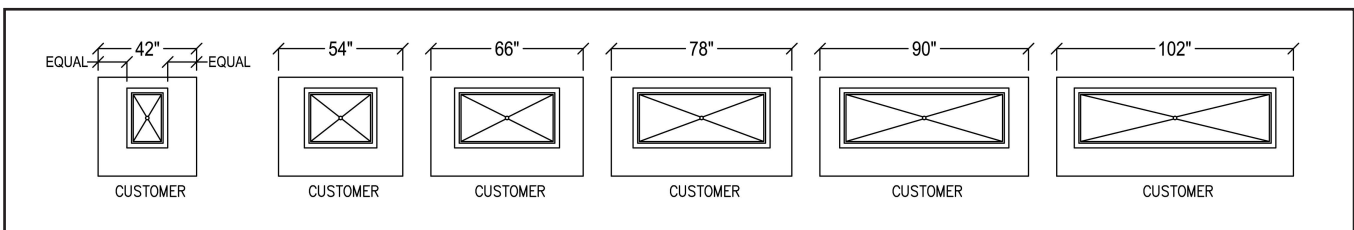
TOLL FREE: 800-525-3692

INTEGRATIONS



Electrical & Plumbing locations

1. Junction box for main power supply.
2. Junction box for drop in equipment
3. Junction box for sneeze upper unit.



MODEL	L	W	H	ELECTRICAL	NEMA PLUG	PLUMBING	AMPS	WT
IA-6-CF-42	42"	42"	34"	120V/60/1 Phase	5-15P	1" I.W.	7.1	535
IA-6-CF-54	54"	42"	34"	120V/60/1 Phase	5-15P	1" I.W.	7.1	535
IA-6-CF-66	66"	42"	34"	120V/60/1 Phase	5-15P	1" I.W.	7.1	660
IA-6-CF-78	78"	42"	34"	120V/60/1 Phase	5-15P	1" I.W.	7.8	788
IA-6-CF-90	90"	42"	34"	120V/60/1 Phase	5-15P	1" I.W.	10.7	937
IA-6-CF-102	102"	42"	34"	120V/60/1 Phase	5-15P	1" I.W.	10.7	1068

NOTE: All electrical requirements are for drop-in only.

RPI Industries, in line with its policy to improve its products, reserves the right to change materials or specifications without notice. Any adverse conditions will affect warranty.

CALL TOLL FREE: 800-525-3692 (609-714-2330)

FAX: 609-714-2331 www.regalpinncle.com

220 ROUTE 70, MEDFORD, NJ 08055

