

STYLE IA-6-HF

INTEGRATIONS

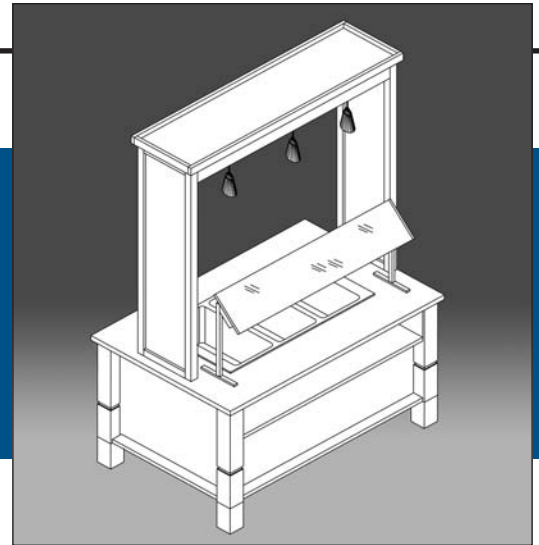
Shown with Optional Upper Structure (US-3),
Sneeze Guard (SN-3) and Pendant Lighting

PROJECT: _____

ITEM: _____ QUANTITY: _____

SPECIFICATIONS

The IA-6-HF is a modular serving counter with a hot food display unit. Featuring a 14-gauge stainless steel top, stainless steel base, plastic laminate recessed reveal exterior fascia panels on three sides along with a plastic laminated plate shelf. Red oak legs with squared stainless steel decorative caps to conceal the heavy-duty adjustable legs.



Available depths: 42"

Available lengths: 42" 54" 66" 78" 90" 102"

STANDARD FEATURES

- 14-Gauge Stainless Steel Top
- Stainless Steel 18-Gauge Base Cabinet Open Rear
- Adjustable Legs with Stainless Steel Square Caps
- Red Oak Legs with 3/4" Recessed Reveal
- Standard Stain Finishes
- Laminate Plate Shelf
- Hot Food Wells Manifold to Common Drain
- 8'-0" 208 Volt Cord and Plug

Available Only up to 4 Well Model

- All Integration Series counter bases are fabricated in 18-gauge, type 304 stainless steel. Each counter top is fabricated in 14-gauge, type 304 stainless steel with a 2" drop edge and welded corners. Heavy duty 14-gauge cross bracing is provided as standard for additional stability and deflection resistance. Each unit is internally wired to accommodate either 120volt or 208volt operation to a factory-mounted junction box. All Integration Series counters are NSF listed for sanitation. All millwork exteriors are fabricated in accordance with AWI standards.

OPTIONAL FEATURES

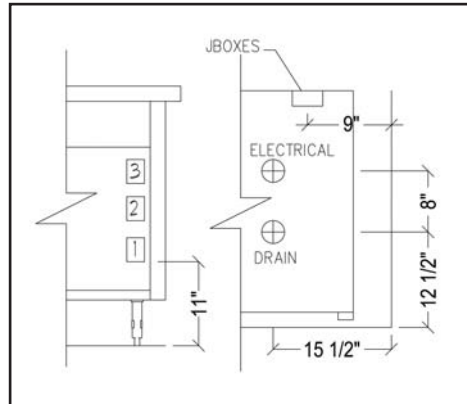
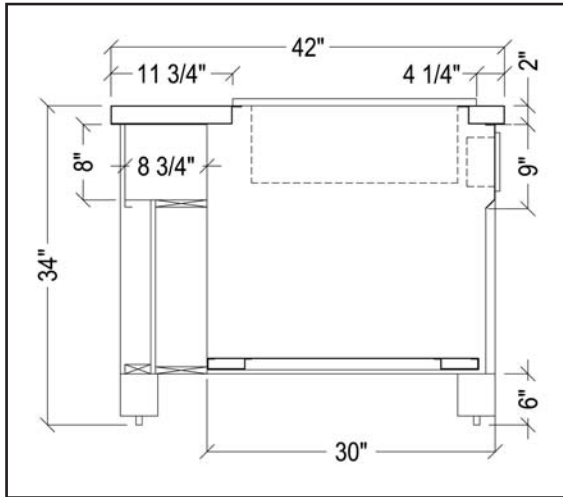
- Stainless Toe Base in Lieu of Wood Base
- Convenience Outlet Panel Mounted with a Cord and Plug
Specify Voltage, Wattage and Location
- Vertical Stainless Steel Corner Trim on Legs
- Casters
- Louvers to Match Base
- Exterior Custom Stained
- Exterior Laminate: Non-Standard
- Non-Standard Wood Species
 - Cherry Maple Mahogany Walnut
- Corian Top: Stock Colors
- Corian Top: Non-Stock Colors
- Zodiac Top: Stock Colors
- Zodiac Top: Non-Stock Colors
- Standard Grade Laminate Top
- Plate Shelf Options
 - Stainless Steel Corian Zodiac
- Stainless Steel Tray Runners
- Rear Doors
 - Stainless Steel Laminate
- Door Locks
- Island Style: Unit Will Change in Depth To 53"
- Sneeze Guard: Model #
- US-3 Upper Structure
May Limit Size of hot food Well Openings
- Ceramic Hot Plates In Lieu of Hot Food Wells
Consult Factory for Electrical Information



STYLE IA-6-HF

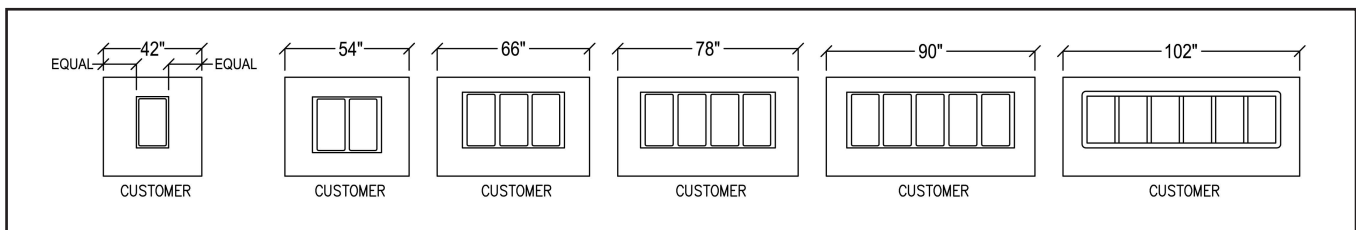
TOLL FREE: 800-525-3692

INTEGRATIONS



Electrical & Plumbing locations

1. Junction box for main power supply.
2. Junction box for drop in equipment
3. Junction box for sneeze upper unit.



MODEL	L	W	H	ELECTRICAL	NEMA PLUG	PLUMBING	AMPS	WT
IA-6-HF-42	42"	42"	34"	208V/60/1 Phase	6-15	1" I. W.	5.3	365
IA-6-HF-54	54"	42"	34"	208V/60/1 Phase	6-15	1" I. W.	10.6	480
IA-6-HF-66	66"	42"	34"	208V/60/1 Phase	6-15	1" I. W.	15.9	588
IA-6-HF-78	78"	42"	34"	208V/60/1 Phase	6-15	1" I. W.	21.2	746
IA-6-HF-90	90"	42"	34"	208V/60/1 Phase	Hardwire	1" I. W.	27.5	922
IA-6-HF-102	102"	42"	34"	208V/60/1 Phase	Hardwire	1" I. W.	31.7	1246

NOTE: All electrical requirements are for drop-in only. Units are standard with 1000 watt elements.

RPI Industries, in line with its policy to improve its products, reserves the right to change materials or specifications without notice. Any adverse conditions will affect warranty.

CALL TOLL FREE: 800-525-3692 (609-714-2330)

FAX: 609-714-2331 www.regalpinncle.com

220 ROUTE 70, MEDFORD, NJ 08055

