

STYLE IA-6-ST

PROJECT: _____

ITEM: _____ QUANTITY: _____

INTEGRATIONS

Shown with Optional Copper Laminate Exterior, Maple Finished Legs and Stainless Steel Plate Shelf

SPECIFICATIONS

The IA-6-ST is a modular serving counter display unit. Featuring a 14-gauge stainless steel top, stainless steel interior base, plastic laminate recessed reveal exterior fascia panels on three sides along with a plastic laminate plate shelf. Red oak legs with squared stainless steel decorative caps to conceal the heavy-duty adjustable legs.



Available depths: 42"

Available lengths: 30" 42" 54" 66" 78" 90" 102"

STANDARD FEATURES

- 14-Gauge Stainless Steel Top
- Stainless Steel 18-Gauge Base Cabinet Open Rear
- Adjustable Legs with Stainless Steel Square Caps
- Red Oak Legs with 3/4" Recessed Reveal
- Standard Stain Finishes
- Laminate Plate Shelf
- 8'-0" 120 Volt Cord and Plug with outlet
- All Integration Series counter bases are fabricated in 18-gauge, type 304 stainless steel. Each counter top is fabricated in 14-gauge, type 304 stainless steel with a 2" drop edge and welded corners. Heavy duty 14-gauge cross bracing is provided as standard for additional stability and deflection resistance. Each unit is internally wired to accommodate either 120volt or 208volt operation to a factory-mounted junction box. All Integration Series counters are NSF listed for sanitation. All millwork exteriors are fabricated in accordance with AWI standards.

OPTIONAL FEATURES

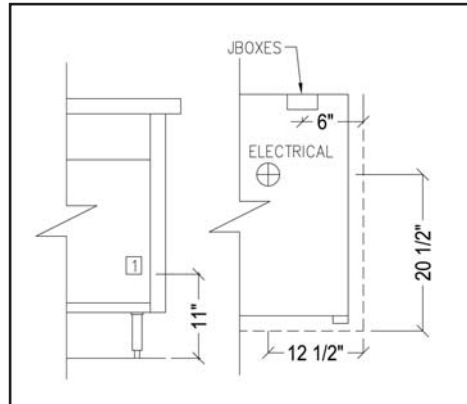
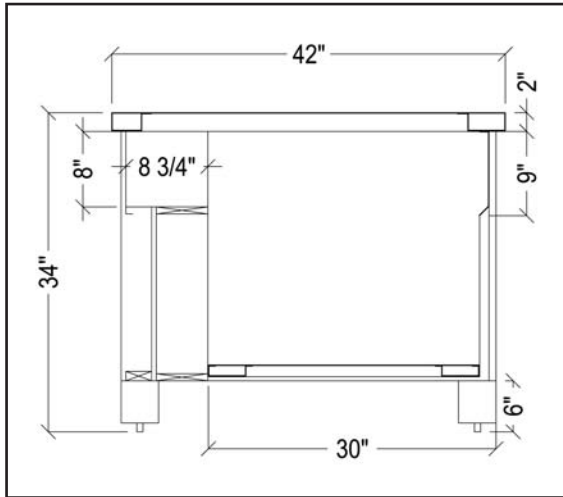
- Stainless Toe Base in Lieu of Wood Base
- Convenience Outlet Panel Mounted with a Cord and Plug
Specify Voltage, Wattage and Location
- Vertical Stainless Steel Corner Trim on Legs
- Casters
- Louvers to Match Base
- Exterior Custom Stained
- Exterior Laminate: Non-Standard
- Non-Standard Wood Species
 - Cherry Maple Mahogany Walnut
- Corian Top: Stock Colors
- Corian Top: Non-Stock Colors
- Zodiac Top: Stock Colors
- Zodiac Top: Non-Stock Colors
- Standard Grade Laminate Top
- Plate Shelf Options
 - Stainless Steel Corian Zodiac
- Stainless Steel Tray Runners
- Rear Doors
 - Stainless Steel Laminate
- Door Locks
- Island Style: Unit Will Change in Depth To 53"
- Sneeze Guard: Model #
- US-3 Upper Structure
Note: Upper Structure Not Available for 29" Unit
- Stainless Steel Drawer 18" x 18" x 4"



STYLE IA-6-ST

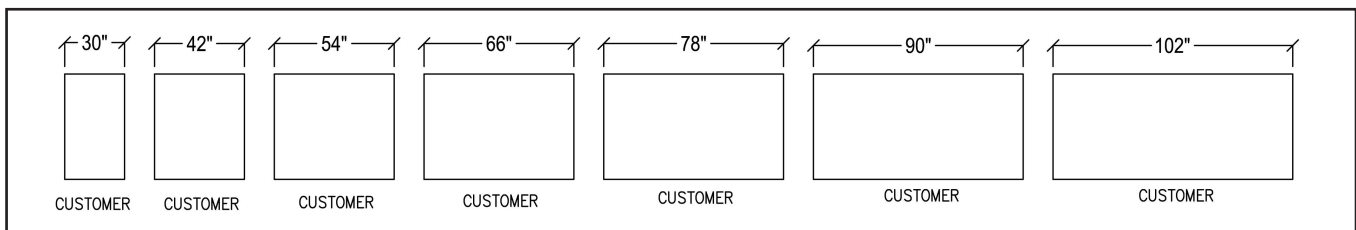
TOLL FREE: 800-525-3692

INTEGRATIONS



Electrical & Plumbing locations

1. Junction box for main power supply.
2. Junction box for drop in equipment
3. Junction box for sneeze upper unit.



MODEL	L	W	H	ELECTRICAL	NEMA PLUG	AMPS	WT
IA-6-ST-30	30"	42"	34"	120V/60/1 Phase	5-15P	12	295
IA-6-ST-42	42"	42"	34"	120V/60/1 Phase	5-15P	12	305
IA-6-ST-54	54"	42"	34"	120V/60/1 Phase	5-15P	12	395
IA-6-ST-66	66"	42"	34"	120V/60/1 Phase	5-15P	12	485
IA-6-ST-78	78"	42"	34"	120V/60/1 Phase	5-15P	12	576
IA-6-ST-90	90"	42"	34"	120V/60/1 Phase	5-15P	12	692
IA-6-ST-102	102"	42"	34"	120V/60/1 Phase	5-15P	12	783

RPI Industries, in line with its policy to improve its products, reserves the right to change materials or specifications without notice. Any adverse conditions will affect warranty.

CALL TOLL FREE: 800-525-3692 (609-714-2330)

FAX: 609-714-2331 www.regalpinncle.com

220 ROUTE 70, MEDFORD, NJ 08055

