

STYLE IA-8-AP

INTEGRATIONS

Shown with Optional Upper Structure (US-4)

PROJECT: _____

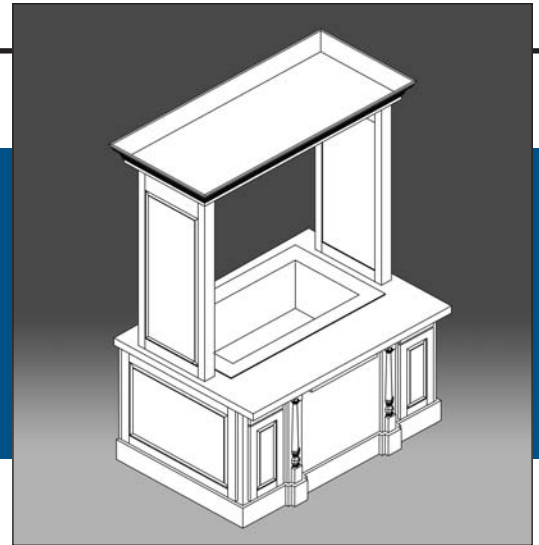
ITEM: _____ QUANTITY: _____

SPECIFICATIONS

The IA-8-AP is a modular serving counter with a mechanically cooled Vienna series air pan display unit. Featuring a 14-gauge stainless steel top, stainless steel interior base, red oak exterior on three sides with solid wood raised panels, decorative turned wood legs and solid wood base that conceals the heavy-duty adjustable legs.

Available depths: 42"

Available lengths: 50" 62" 74" 86" 98"



STANDARD FEATURES

- 14-Gauge Stainless Steel Top
- Stainless Steel 18-Gauge Base Cabinet Open Rear
- 6" Adjustable Legs with Solid Oak Base
- Red Oak Long Grain Exterior with Standard Stain Finish
- Solid Wood Raised Panels
- Turned Wood Accent Legs
- 8'-0" 120 Volt Cord and Plug

- All Integration Series counter bases are fabricated in 18-gauge, type 304 stainless steel. Each counter top is fabricated in 14-gauge, type 304 stainless steel with a 2" drop edge and welded corners. Heavy duty 14-gauge cross bracing is provided as standard for additional stability and deflection resistance. Each unit is internally wired to accommodate either 120volt or 208volt operation to a factory-mounted junction box. All Integration Series counters are NSF listed for sanitation. All millwork exteriors are fabricated in accordance with AWI standards.

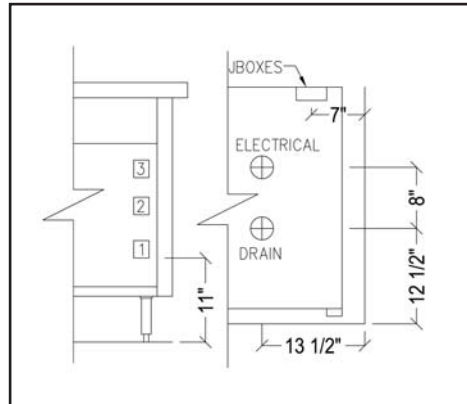
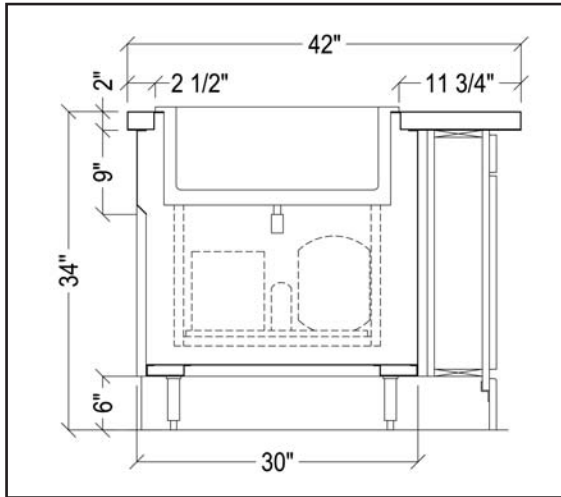
OPTIONAL FEATURES

- Stainless Steel Toe Base in Lieu of Wood Base
- Convenience Outlet Panel Mounted with a Cord and Plug
Specify Voltage, Wattage and Location
- Casters
- Louvers to Match Base
- Exterior Custom Stained
- Non-Standard Wood Species
 - Cherry Maple Mahogany Walnut
- Corian Top: Stock Colors
- Corian Top: Non-Stock Colors
- Zodiac Top: Stock Colors
- Zodiac Top: Non-Stock Colors
- Standard Grade Laminate Top
- Stainless Steel Tray Runners
- Trayslide12"
 - Stainless Steel Tubular Solid
 - Corian Stock Zodiac Stock Laminate
 - Corian Non-Stock Zodiac Non-Stock
- All Tray Slides Standard with (3) Stainless Steel Runners
- Rear Doors
 - Stainless Steel Laminate
- Door Locks
- Island Style: Unit Will Change in Depth To 51"
- Sneeze Guard: Model #
- US-4 Upper Structure
May Limit Size of Cold Pan Well Openings
- 5 Year Compressor Warranty
- Remote Refrigeration

STYLE IA-8-AP

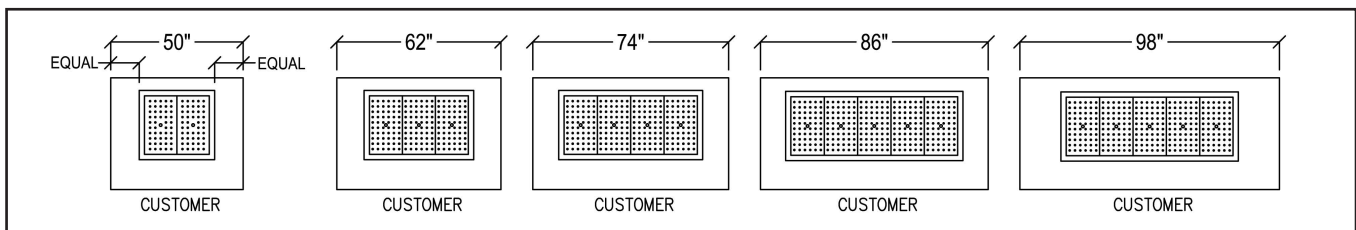
TOLL FREE: 800-525-3692

INTEGRATIONS



Electrical & Plumbing locations

1. Junction box for main power supply. 2. Junction box for drop in equipment 3. Junction box for sneeze upper unit.



MODEL	L	W	H	ELECTRICAL	NEMA PLUG	PLUMBING	AMPS	WT
IA-8-AP-50	50"	42"	34"	120V/60/1 Phase	5-15P	1" I. W.	4.7	553
IA-8-AP-62	62"	42"	34"	120V/60/1 Phase	5-15P	1" I. W.	5.3	685
IA-8-AP-74	74"	42"	34"	120V/60/1 Phase	5-15P	1" I. W.	6.8	805
IA-8-AP-86	86"	42"	34"	120V/60/1 Phase	5-15P	1" I. W.	8.1	973
IA-8-AP-98	98"	42"	34"	120V/60/1 Phase	5-15P	1" I. W.	8.1	1058

NOTE: All electrical requirements are for drop-in only.

RPI Industries, in line with its policy to improve its products, reserves the right to change materials or specifications without notice. Any adverse conditions will affect warranty.

CALL TOLL FREE: 800-525-3692 (609-714-2330)

FAX: 609-714-2331 www.regalpinncle.com

220 ROUTE 70, MEDFORD, NJ 08055

