

VIENNA AIR PAN

PROJECT: _____

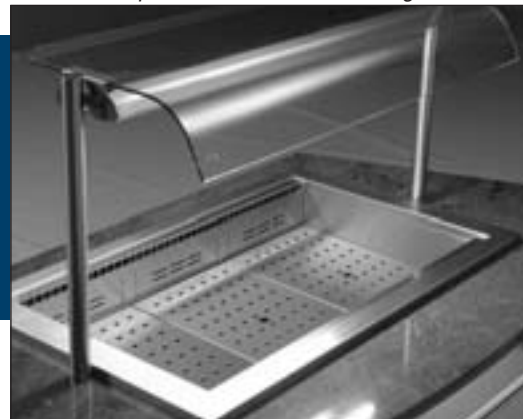
ITEM: _____ QUANTITY: _____

MODEL # VIAP-SC

Shown with optional counter and sneeze guard.

SPECIFICATIONS

The VIAP Vienna Series drop in air pan cools by circulating a curtain of refrigerated air over the product in the display area. Evaporator features a lift-up mechanism that allows the inner pan to be easily rinsed clean. Unit is designed to accommodate gastronomic or standard hotel pans.



Available depths: 27 3/4"

Available lengths: 30 1/8" 42 7/8" 55 3/4" 68 1/2"

STANDARD FEATURES

- 304 Stainless Interior
- Programmable Refrigeration Controller
- Fully Automatic Hot Gas Defrost
- Forced Air Cooling System
- Self-Contained Refrigeration with Pull Out Compressor Housing
- Lift Up Evaporator
- Removable Air Flow Pans for Cleaning
- Environmentally Safe Refrigerant

OPTIONAL FEATURES

- Remote Refrigeration (Hot Gas Defrost Not Available)
- 5 Year Compressor Warranty
- Rear Air Ventilation Kit
- Sneeze Guards (Consult Factory)
- Integration Modular Counters (Consult Factory)



WHEN ORDERING SPECIFY:

Application: _____

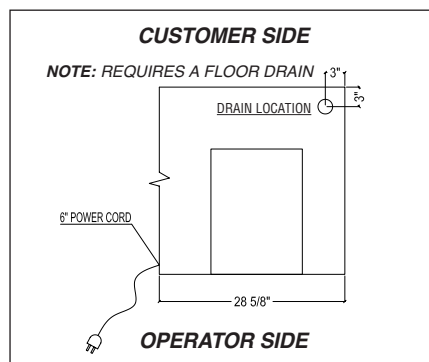
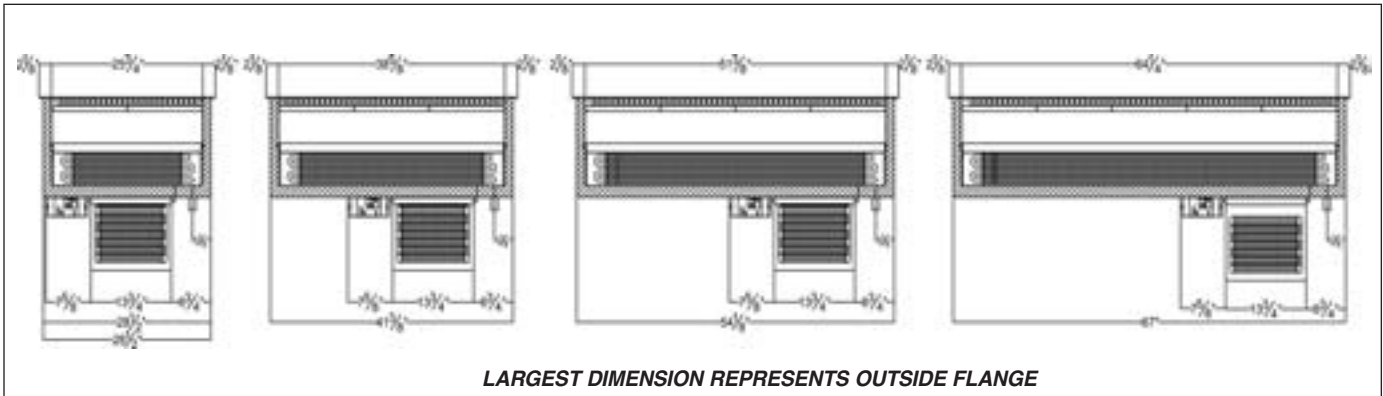
Refrigeration Type: _____

MODEL	L	W	COMP HP	VOLT	AMPS	NEMA PLUG	WT	CUT-OUT SIZE
VIAP-2-0-R-SC	30 1/8	27 3/4	1/4	115	4.7	5-15P	182	29 7/8 x 26 3/8
VIAP-3-0-R-SC	42 7/8	27 3/4	1/3	115	5.3	5-15P	229	42 3/4 x 26 3/8
VIAP-4-0-R-SC	55 3/4	27 3/4	3/8	115	6.8	5-15P	264	55 1/2 x 26 3/8
VIAP-5-0-R-SC	68 1/2	27 3/4	1/2	115	8.1	5-15P	347	68 1/4 x 26 3/8

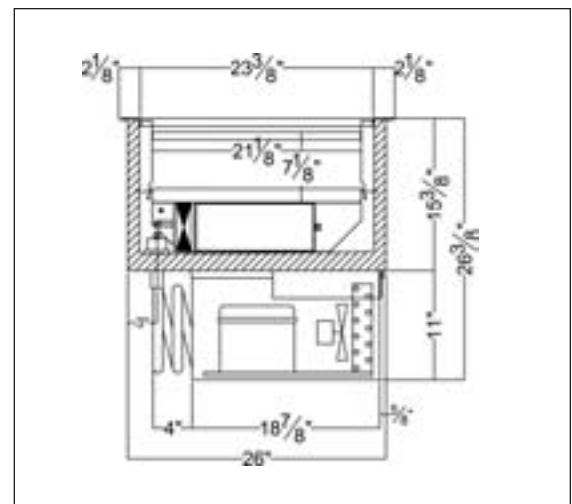
VIENNA AIR PAN

MODEL # VIAP

VIAP-SC



Electrical & Plumbing locations



1. A 1" diameter drain is provided. The drain **MUST** be connected to a floor drain or storage container **AT TIME OF INSTALLATION**.
2. Front and Rear ventilation louvers, each at least 25" W x 20" H, **MUST** be provided in the cabinet or counter and located so to provide full ventilation for the condensing unit.
3. The VIAP merchandiser is designed for use in locations where temperatures and humidity do not exceed 75 degrees and 55% R.H. Any adverse conditions will affect warranty. Locate away from direct sunlight, rapid air currents and extreme temperature changes. Exposure to air currents from ceiling fans, air conditioners, ovens, etc. will disrupt the cases air current and refrigeration zone within.

RPI in line with its policy to continually improve its product reserves the right to change materials and specifications without notice.



CALL TOLL FREE: 800-525-3692 (609-714-2330)

FAX: 609-714-2331 www.regalpinncle.com

220 ROUTE 70, MEDFORD, NJ 08055

